



DG0700PE

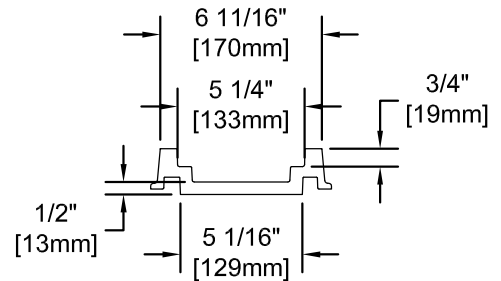
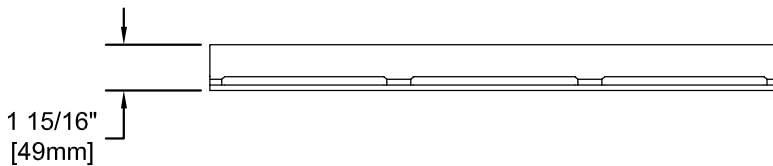
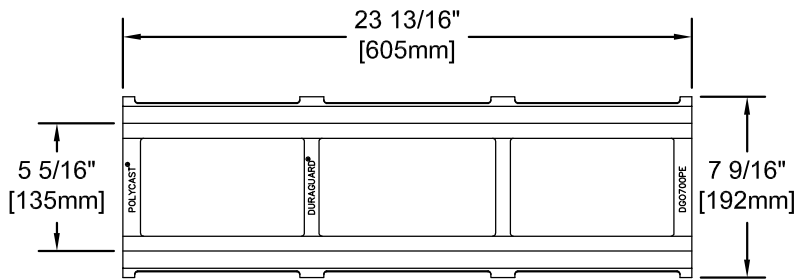
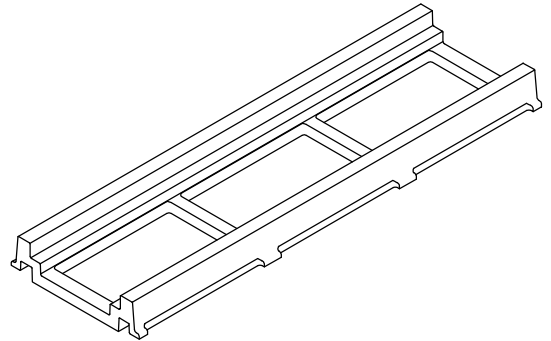
DURAGUARD® Composite Frame

PROJECT ID/
CONTRACT NO: _____

LOCATION: _____

ENGINEERING SPECIFICATION:

POLYCAST® DURAGUARD® Channel Frame is extremely chemical resistant and greatly improves the impact and wear resistance of the standard 600 Series channels. The system is suitable for lightly loaded forklifts and highway vehicles at low to moderate speeds (i.e. parking areas, driveways and warehouses). This frame is non-rigid and works best with ductile iron grates. The frame is made of HDPE and weighs approximately 3lbs [1.36kg].



Grate Options (Select One)		
Grate Type	Part No.	Load Class
<input checked="" type="checkbox"/> Iron Slotted	DG0641	Class D
<input type="checkbox"/> Ductile Iron Slotted	DG0641D	Class E
<input type="checkbox"/> Ductile Iron Solid (ADA Compliant)	DG0641S	Class E
<input type="checkbox"/> Ductile Iron Slotted (ADA Compliant)	DG0675HD	Class E
<input type="checkbox"/> Ductile Iron Slotted	DG0941D	Class E
Options (Select All That Apply)	Part No.	
<input type="checkbox"/> DURAGUARD® Locking Device	DA0642BH	
<input type="checkbox"/> Stainless Steel Locking Device	DA0642BHS	

MEETS THE FOLLOWING STANDARDS & SPECIFICATIONS:

- Federal Aviation Administration (FAA) Advisory Circular Airport Pavement Design and Evaluation (AC 150/5320-6D Appendix 3 Design of Structures for Heavy Aircraft)
- AASHTO Highway Drainage Guidelines
- AASHTO Standard Specification for Highway Bridges

