



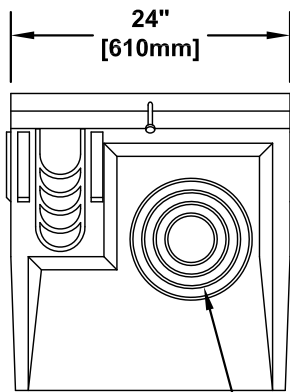
PROJECT ID/
CONTRACT NO: _____

751 Catch Basin

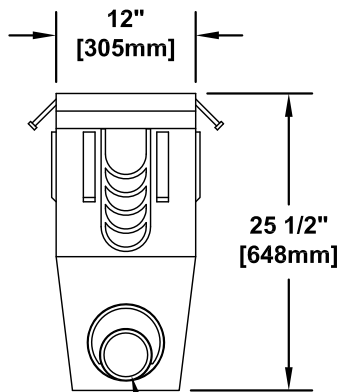
LOCATION: _____

ENGINEERING SPECIFICATION:

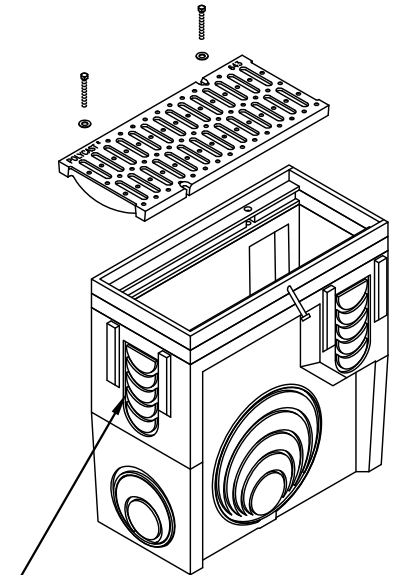
POLYCAST® Catch Basins are designed to be used as collection points, drain run transitions and interceptors to collect solid debris. Catch Basins are designed to accommodate all drain channel sizes and have cut-outs designed specifically for channels with catalog numbers ending in 5, 0, N, and H.



4", 6", 8", 10", & 12" DRILL OUTS EACH SIDE



4" & 6" DRILL OUT EACH END



CUT-OUTS FOR 605, 610, 615, 620, AND 625 CHANNELS AND THEIR CORRESPONDING HALVES AND NEUTRALS

Grate Options (Select One)			
<input checked="" type="checkbox"/>	Grate Type	Part No.	DIN Load Class
<input type="checkbox"/>	Ductile Iron Longitudinal Slotted	DG0685HD	Class E
<input type="checkbox"/>	Cast Iron Slotted	DG0643	Class D
<input checked="" type="checkbox"/>	Options (Select All That Apply)	Part No.	Additional Specifications:
<input type="checkbox"/>	Vinyl Ester Concrete Channels	DV0751	
<input type="checkbox"/>	HDPE Corrugated Plastic Debris Basket	DA0751TA	

Meets the following Standards & Specifications:

- DIN 19580 / DIN EN 1433 Drainage Channels for Vehicular and Pedestrian Areas
- AASHTO H-20 and H-25 per AASHTO M-306 Drainage, Sewer, Utility and Related Castings
- ASTM Standard D543, Test Method for Resistance of Plastics to Chemical Reagents
- ASTM Standard D570, Test Method for Water Absorption of Plastic
- ASTM Standard D576, Practice for Determination of Weight and Shape Change of Plastics Under Accelerated Service Conditions
- ASTM Standard G53, Recommended Practice for Operating Light and Water Exposure Apparatus for Exposure of Non-Metallic Materials
- ASTM Standard C78, Test Method for Flexural Strength of Concrete
- ASTM Standard C579, Test Method for Compressive Strength of Chemical Resistant Mortars and Monolithic Surfacing's



www.polycastdrain.com
Toll Free Number:
1-800-346-3062