



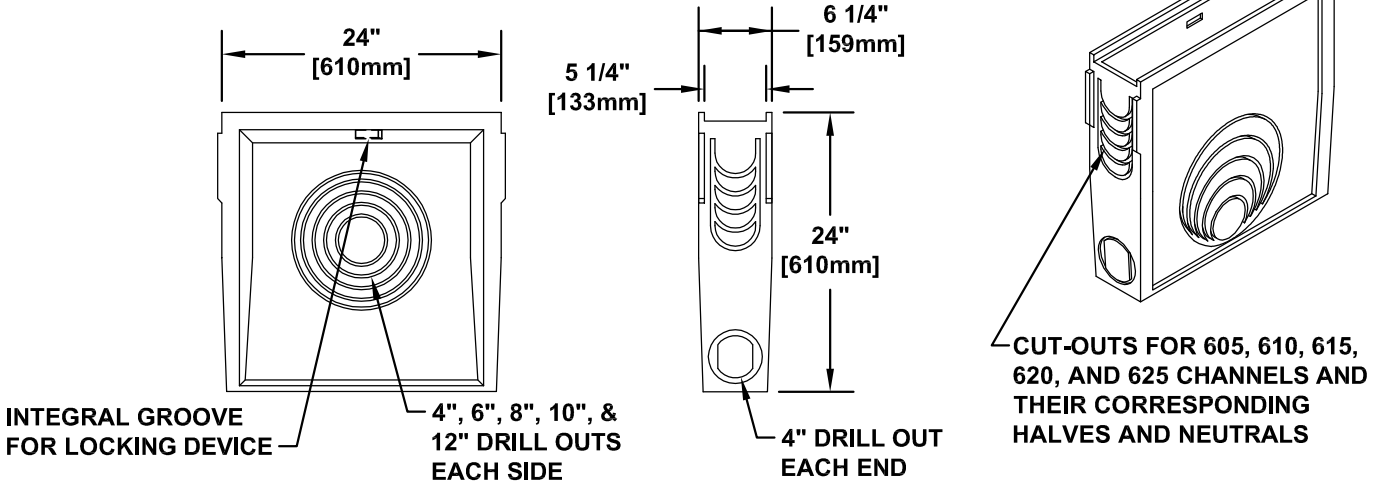
PROJECT ID/  
CONTRACT NO: \_\_\_\_\_

## 650 Catch Basin

LOCATION: \_\_\_\_\_

### ENGINEERING SPECIFICATION:

POLYCAST® Catch Basins are designed to be used as collection points, drain run transitions and interceptors to collect solid debris. Catch Basins are designed to accommodate all drain channel sizes and have cut-outs designed specifically for channels with catalog numbers ending in 5, 0, N, and H.



Grate Options (Select One)			
<input checked="" type="checkbox"/>	Grate Type	Part No.	DIN Load Class
<input type="checkbox"/>	Galvanized Steel Solid (ADA Compliant)	DG0645	Class A
<input type="checkbox"/>	Galvanized Steel Perforated (ADA Compliant)	DG0646	Class A
<input type="checkbox"/>	Stainless Steel Perforated (ADA Compliant)	DG0657	Class A
<input type="checkbox"/>	Stainless Steel Solid (ADA Compliant)	DG0667	Class A
<input type="checkbox"/>	Galvanized Steel Slotted	DG0640	Class A
<input type="checkbox"/>	Plastic Coated Galvanized Slotted	DG0640C	Class A
<input type="checkbox"/>	Stainless Steel Slotted	DG0647	Class A
<input type="checkbox"/>	DURAGUARD® Slotted	DG0670	Class A
<input type="checkbox"/>	DURAGUARD® Longitudinal (ADA Compliant)	DG0675	Class A
<input type="checkbox"/>	Fiberglass (5/8" Spacing)	DG0644	Class B
<input type="checkbox"/>	Double Galvanized Steel Slotted	DG0640R	Class C
<input type="checkbox"/>	Fiberglass (3/8" Spacing)	DG0644SP	Class C
<input type="checkbox"/>	Double Galvanized Steel Solid (ADA Compliant)	DG0645R	Class C
<input type="checkbox"/>	Double Galvanized Steel Perforated (ADA Compliant)	DG0646R	Class C
<input type="checkbox"/>	Double Stainless Steel Slotted	DG0647R	Class C
<input type="checkbox"/>	Double Stainless Steel Perforated (ADA Compliant)	DG0657R	Class C
<input type="checkbox"/>	Double Stainless Steel Solid (ADA Compliant)	DG0667R	Class C
<input type="checkbox"/>	Cast Iron Slotted	DG0641	Class C
<input type="checkbox"/>	Abbott, Decorative Iron	DG0693	Class C
<input type="checkbox"/>	Patriot, Decorative Iron	DG0692	Class C
<input type="checkbox"/>	Spiral, Decorative Iron	DG0694	Class C
<input type="checkbox"/>	Cobblestone, Decorative Iron	DG0695	Class C
<input type="checkbox"/>	Ductile Iron Slotted	DG0641D	Class D
<input type="checkbox"/>	Cast Iron Solid (ADA Compliant)	DG0641S	Class D
<input type="checkbox"/>	Ductile Iron Longitudinal Slotted (ADA Compliant)	DG0675HD	Class D

<input checked="" type="checkbox"/>	Options (Select All That Apply)	Part No.	Additional Specifications:
<input type="checkbox"/>	Vinyl Ester Concrete Channels	DV0650	
<input type="checkbox"/>	Galvanized Steel POLYGUARD	DA0620AH	
<input type="checkbox"/>	Stainless Steel POLYGUARD	DA0620BH	
<input type="checkbox"/>	Locking Device For Galvanized & DURAGUARD® Grates	DA0642	
<input type="checkbox"/>	Locking Device For Cast & Ductile Iron Grates	DA0642B	
<input type="checkbox"/>	Locking Device For Fiberglass Grates	DA0642F	
<input type="checkbox"/>	Locking Device For Stainless Steel Grates	DA0642S	
<input type="checkbox"/>	HDPE Corrugated Plastic Debris Basket	DA0650TA	

### Meets the following Standards & Specifications:

- DIN 19580 / DIN EN 1433 Drainage Channels for Vehicular and Pedestrian Areas
- AASHTO H-20 and H-25 per AASHTO M-306 Drainage, Sewer, Utility and Related Castings
- ASTM Standard D543, Test Method for Resistance of Plastics to Chemical Reagents
- ASTM Standard D570, Test Method for Water Absorption of Plastic
- ASTM Standard D576, Practice for Determination of Weight and Shape Change of Plastics Under Accelerated Service Conditions
- ASTM Standard G53, Recommended Practice for Operating Light and Water Exposure Apparatus for Exposure of Non-Metallic Materials
- ASTM Standard C78, Test Method for Flexural Strength of Concrete
- ASTM Standard C579, Test Method for Compressive Strength of Chemical Resistant Mortars and Monolithic Surfacing's



www.polycastdrain.com  
Toll Free Number:  
1-800-346-3062