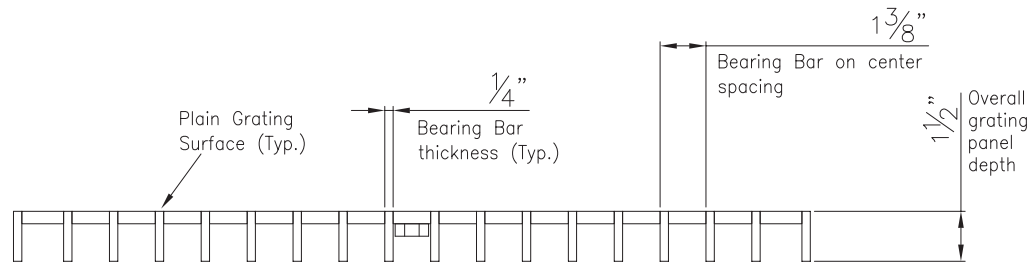
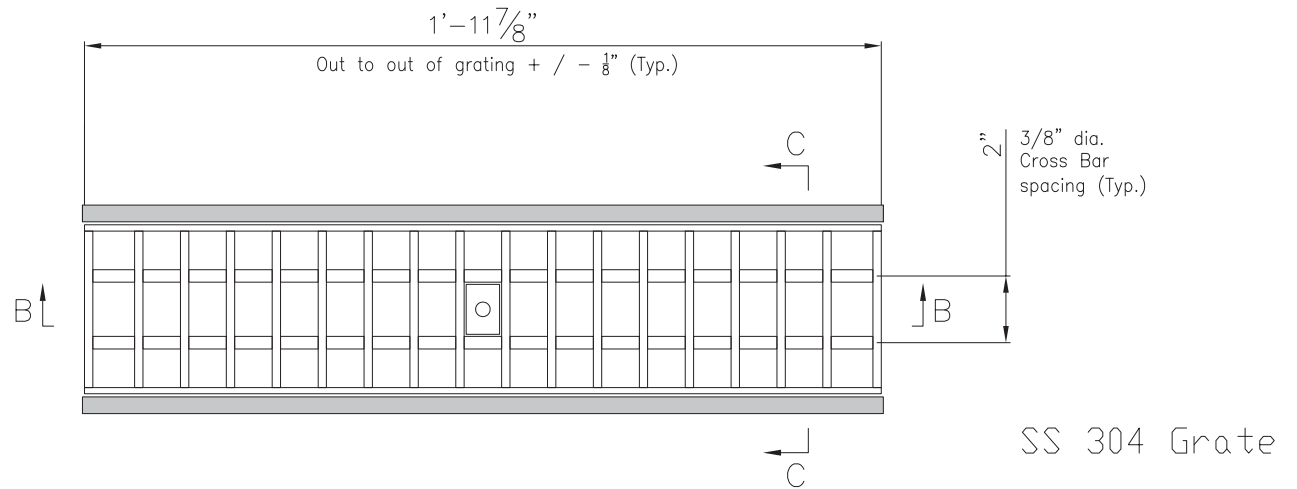


Grating
Details for
24" long
600 Series
Channel



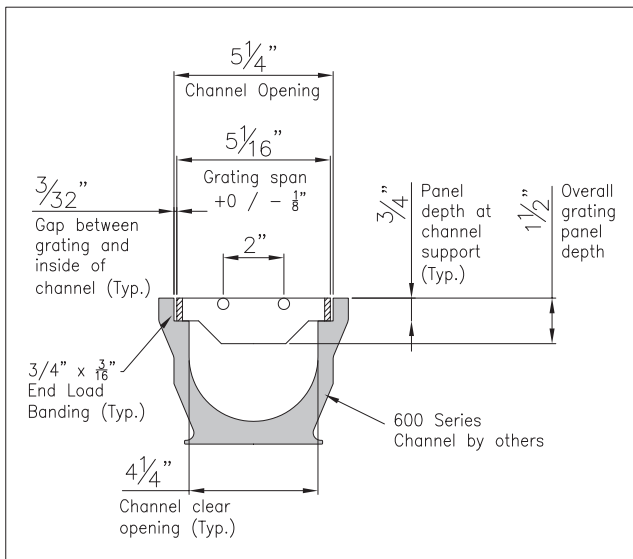
Grating Information:

Heavy Duty Welded Grating 22-WSS-2, 1-1/2" x 1/4" with coped ends, 304 or 316 Stainless Steel as required, and with Plain Surface.

Finish: Sandblasted and Passivated.

Percent open area: 68%.

Grating is sized to resist HS-20 Heavy Duty AASHTO load including 30% impact, and a 5 Ton capacity lift truck with pneumatic tires or hard rubber tires.



DIMENSIONS ARE IN INCHES OR MILLIMETERS IN BRACKETS UNLESS OTHERWISE NOTED.

BY		DATE		WEIGHT	
DRN	JRL	3/3/16		10.2#	
CHK	JRL	3/3/16			
ENG					
APR					
APR					
SCALE				DRAWING DESCRIPTION	
NOT TO SCALE				STAINLESS HD BAR GRATE	
DRAWING NUMBER					
DG0669H					

TRENCH DRAIN
SYSTEMS

www.TrenchDrainSystems.com
PO Box 377 • Fremont, OH 43420
(610) 638-1221