

POLYCAST®

DG0667

600 Series

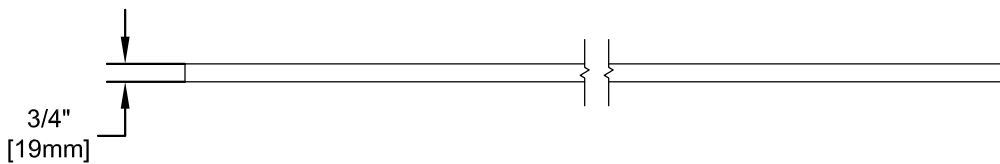
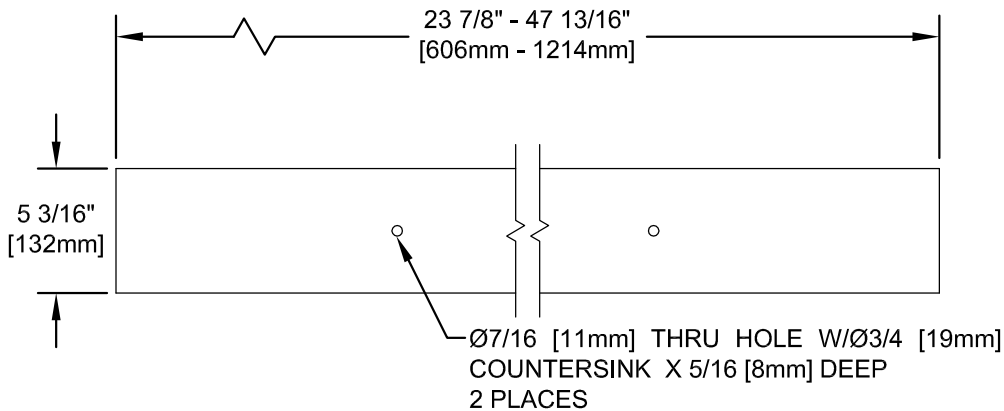
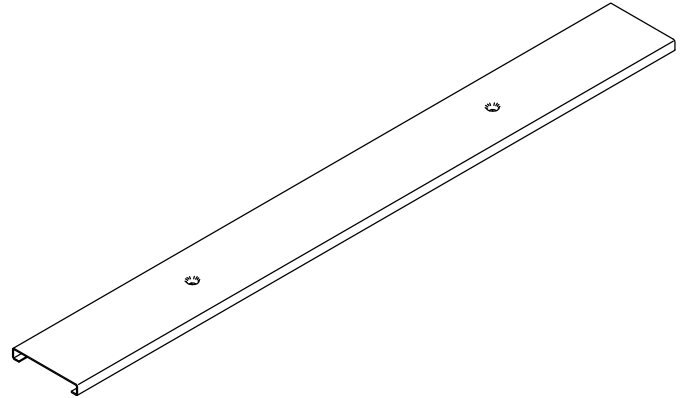
Stainless Steel Solid

PROJECT ID/
CONTRACT NO: _____

LOCATION: _____

ENGINEERING SPECIFICATION:

POLYCAST® DG0667 Grate is designed for pipe runs, e.g. secondary containment or cable runs. Especially suited for areas exposed to mild acids or bases. Removable cover allows full access. Grating locking device Part No. DA0642S (not shown) should be used and maintained secure. The grate weighs approximately 8lbs [3.6kg] and is available in both 24" [610mm] and 48" [1219mm] lengths.



APPLICATION LOAD CLASS A:

Pedestrian, bicycles and golf carts. Designed for a distributed pressure of 2psi (300psf). ADA compliant for accessible routes. Meets ASTM C-857.



LENOIR CITY, INC.
www.polycastdrain.com
Toll Free Number:
1-800-346-3061

PC-55
12/4/2008