

POLYCAST[®]

DG0657R

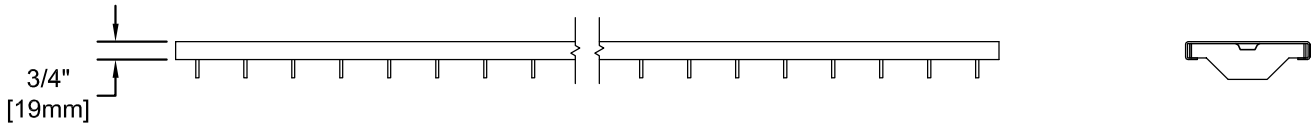
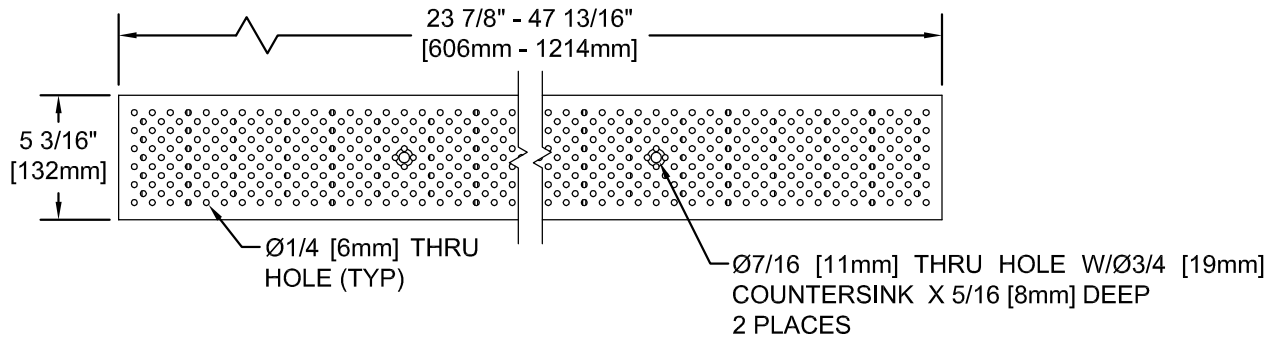
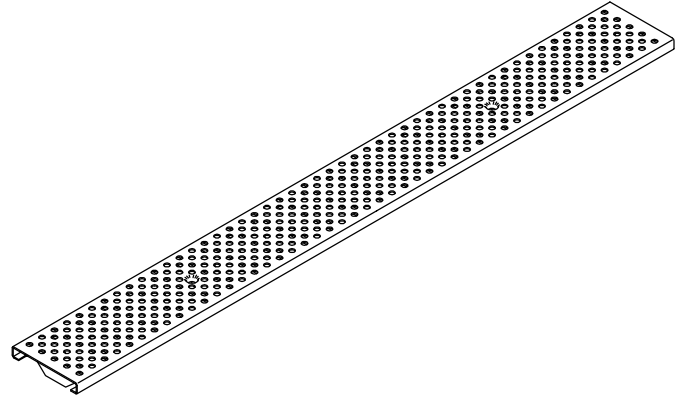
600 Series Double
Stainless Steel Perforated

PROJECT ID/ CONTRACT NO: _____

LOCATION: _____

ENGINEERING SPECIFICATION:

POLYCAST[®] DG0657R Grate is designed for use where sanitary conditions are essential, as well as the need for heel-resistant grating. Grating locking device Part No. DA0642S (not shown) should be used and maintained secure. The grate has 17% (34in²) of open area. The grate is made 14 gauge GR. 304 Stainless Steel and weighs approximately 12lbs [5.44kg]. The grate is available in both 24" [610mm] and 48" [1219mm] lengths.



APPLICATION LOAD CLASS C:
Pneumatic tire vehicles, highway vehicles and low to moderate speeds (parking areas and driveways). Designed for a distributed pressure of 260psi (37,440psf). ADA compliant for accessible routes.

HUBBELL[®]
LENOIR CITY, INC.
www.polycastdrain.com
Toll Free Number:
1-800-346-3061