

POLYCAST[®]

DG0647R

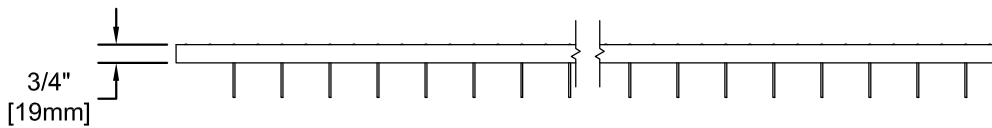
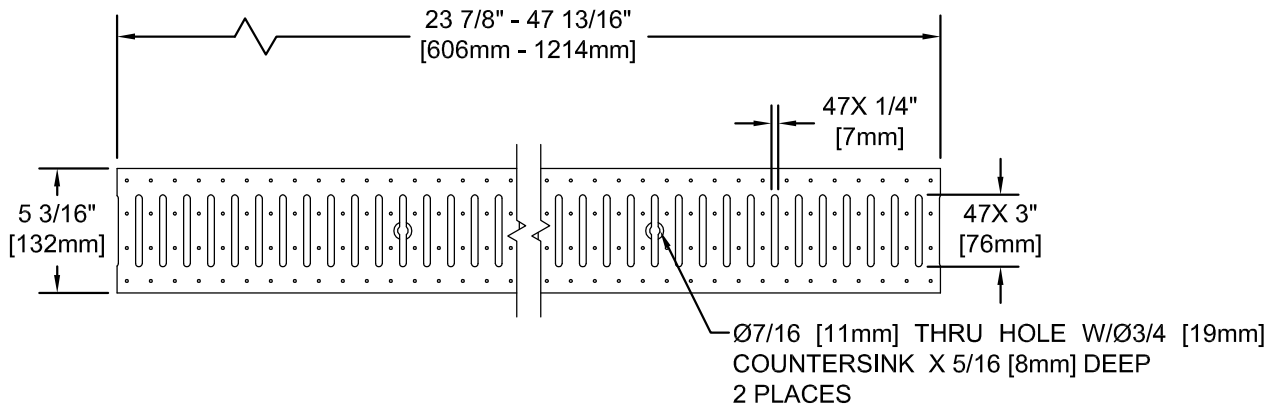
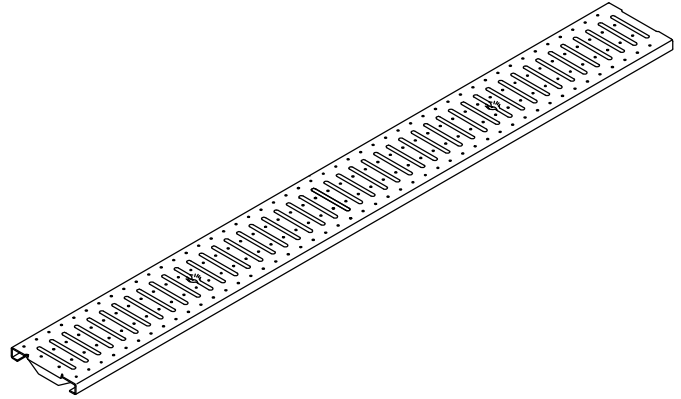
600 Series Double
Stainless Steel Slotted

PROJECT ID/
CONTRACT NO: _____

LOCATION: _____

ENGINEERING SPECIFICATION:

POLYCAST[®] DG0647R Grate is designed for use where sanitary conditions are essential. Grating locking device Part No. DA0642S (not shown) should be used and maintained secure. The grate has 20% (41in²) of open area. The grate is made 14 gauge GR. 304 Stainless Steel and weighs approximately 12lbs [5.44kg]. The grate is available in both 24" [610mm] and 48" [1219mm] lengths.



APPLICATION LOAD CLASS C:

Pneumatic tire vehicles, highway vehicles and low to moderate speeds (parking areas and driveways). Designed for a distributed pressure of 260psi (37,440psf).

