

# POLYCAST!

## DG0647

600 Series

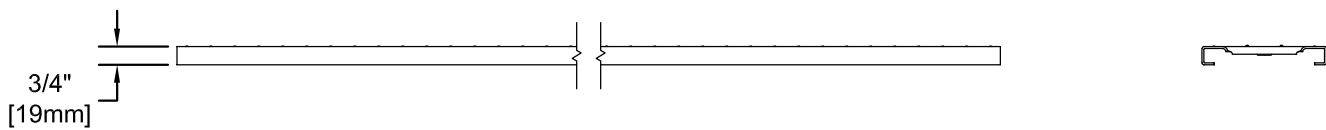
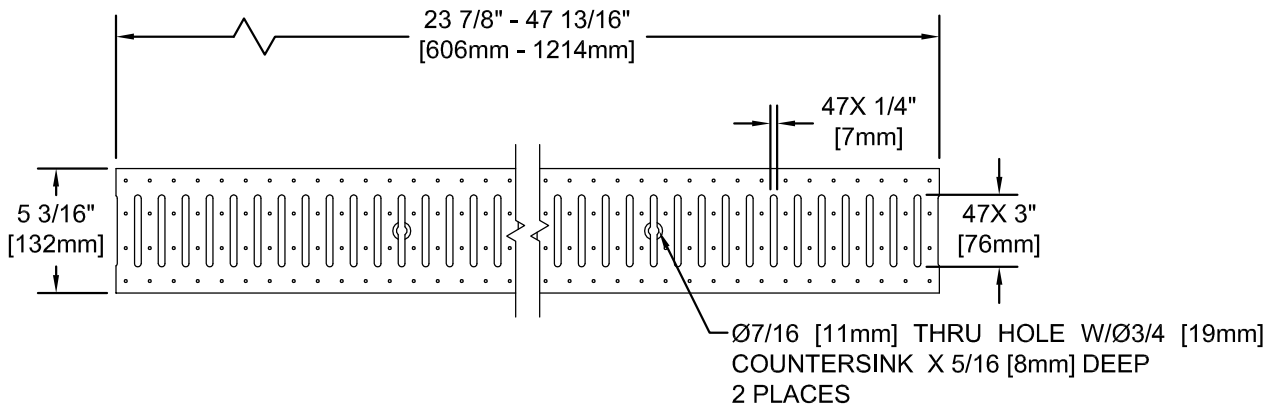
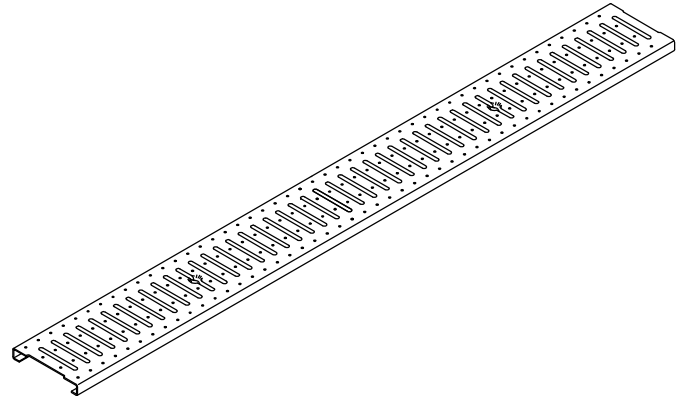
Stainless Steel Slotted

PROJECT ID/  
CONTRACT NO: \_\_\_\_\_

LOCATION: \_\_\_\_\_

### ENGINEERING SPECIFICATION:

POLYCAST® DG0647 Grate is designed for use where sanitary conditions are essential. Grating locking device Part No. DA0642S (not shown) should be used and maintained secure. The grate has 20% (41in<sup>2</sup>) of open area. The grate is made 14 gauge GR. 304 Stainless Steel and weighs approximately 8lbs [3.63kg]. The grate is available in both 24" [610mm] and 48" [1219mm] lengths.



### APPLICATION LOAD CLASS B:

Automobiles, light pickup trucks, general aviation aircraft, and low speeds (parking areas and driveways). Designed for a distributed pressure of 62psi (9,000psf).



LENOIR CITY, INC.

www.polycastdrain.com

Toll Free Number:

1-800-346-3061

PC-46  
10/22/2008