

# POLYCAST<sup>®</sup>

## DG0646R

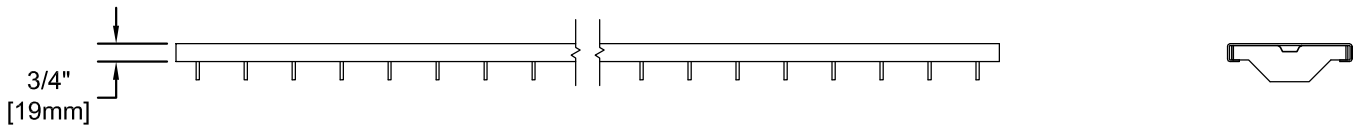
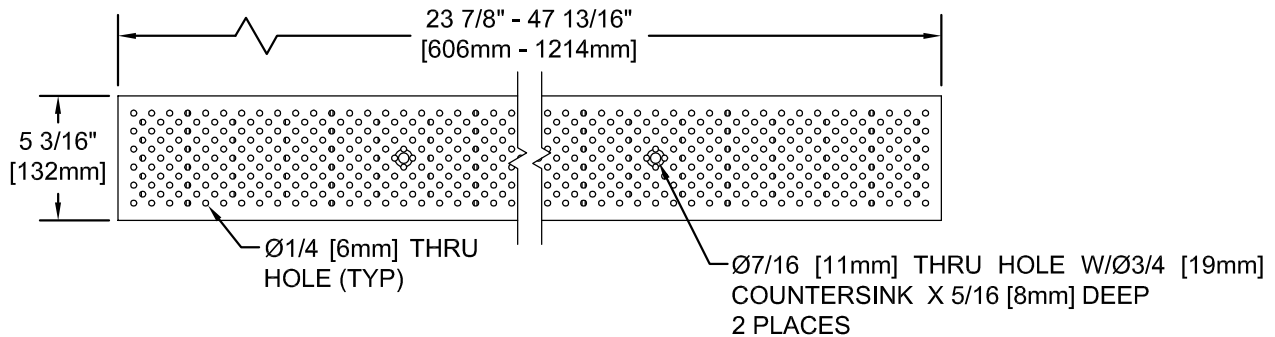
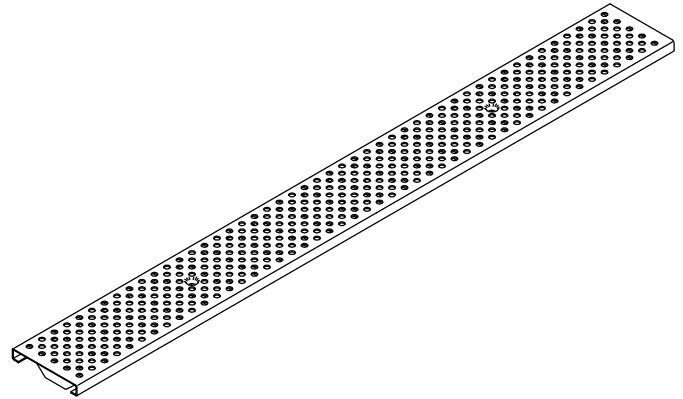
600 Series Double  
Galvanized Steel Perforated

PROJECT ID/  
CONTRACT NO: \_\_\_\_\_

LOCATION: \_\_\_\_\_

### ENGINEERING SPECIFICATION:

POLYCAST<sup>®</sup> DG0646R Grate is designed for use in pedestrian areas to minimize heel hazard and prevent entrance of large objects. Grating locking device Part No. DA0642 (not shown) should be used and maintained secure. The grate has 17% (34in<sup>2</sup>) of open area. The grate is made of hot dipped galvanized 14 gauge ASTM A36 Steel and weighs approximately 14lbs [6.35kg]. The grate is available in both 24" [610mm] and 48" [1219mm] lengths.



### APPLICATION LOAD CLASS C:

Pneumatic tire vehicles, highway vehicles and low to moderate speeds (parking areas and driveways). Designed for a distributed pressure of 260psi (37,440psf). ADA compliant for accessible routes.

