

# POLYCAST®

## DG0645

600 Series

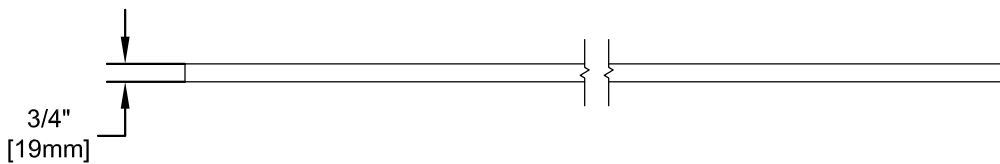
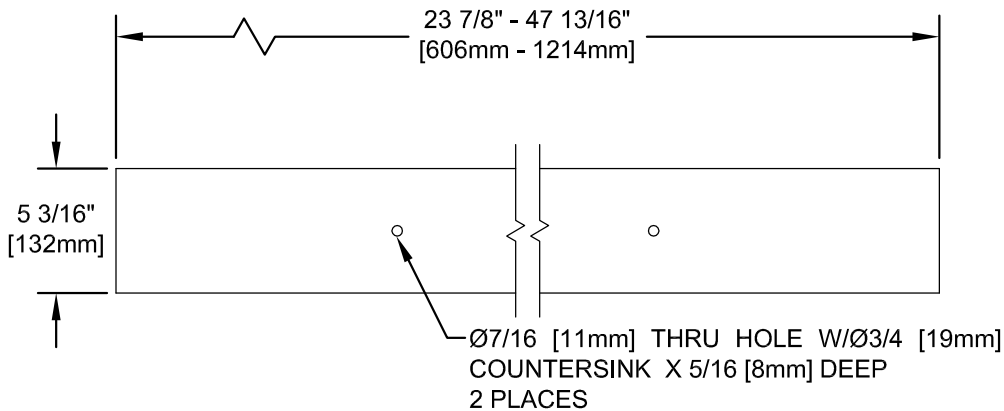
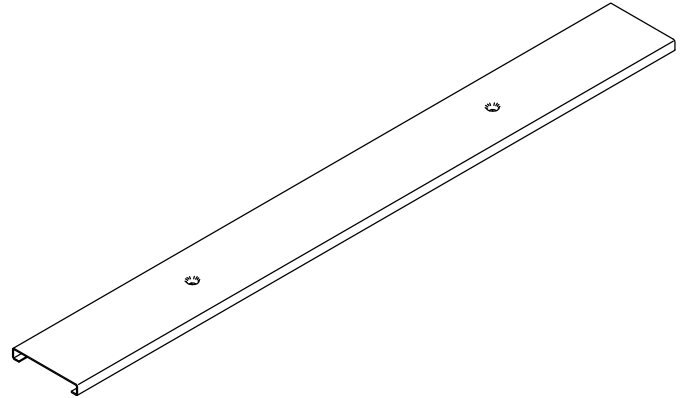
Galvanized Steel Solid

PROJECT ID/  
CONTRACT NO: \_\_\_\_\_

LOCATION: \_\_\_\_\_

### ENGINEERING SPECIFICATION:

POLYCAST® DG0645 Grate is designed for pipe runs, e.g. secondary containment or cable runs. Removable cover allows full access. Grating locking device Part No. DA0642 (not shown) should be used and maintained secure. The grate weighs approximately 8lbs [3.6kg] and is available in both 24" [610mm] and 48" [1219mm] lengths.



### APPLICATION LOAD CLASS A:

Pedestrian, bicycles and golf carts. Designed for a distributed pressure of 2psi (300psf). ADA compliant for accessible routes. Meets ASTM C-857.



**LENOIR CITY, INC.**  
www.polycastdrain.com  
Toll Free Number:  
1-800-346-3061

PC-54  
12/4/2008