



DA0642BH

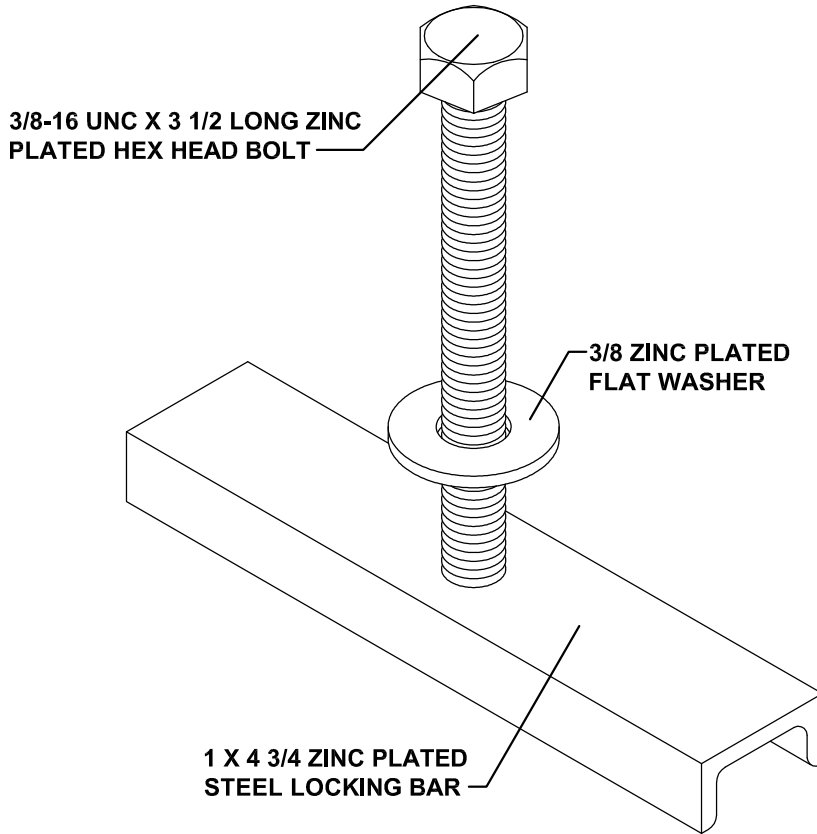
**Locking Device for Cast Iron
600 Series Grates & Frames**

PROJECT ID/
CONTRACT NO: _____

LOCATION: _____

ENGINEERING SPECIFICATION:

Locking Devices are to be used with all grating systems where wheel traffic occurs. This is necessary to provide system integrity.



Frame/Grate Options (Select One)		
<input checked="" type="checkbox"/> Frame/Grate Type	Part No.	DIN Load Class
<input type="checkbox"/> DURAGUARD® Composite Frame w/Ductile Iron Slotted	DG0700PE w/DG0641D	Class E
<input type="checkbox"/> DURAGUARD® Composite Frame w/Cast Iron Solid	DG0700PE w/DG0641S	Class E
<input type="checkbox"/> DURAGUARD® Composite Frame w/Ductile Iron Longitudinal Slotted	DG0700PE w/DG0675HD	Class E
<input type="checkbox"/> HARDNOSE Iron Frame w/Ductile Iron Slotted	DG0700AA w/DG0641D	Class E
<input type="checkbox"/> HARDNOSE Iron Frame w/Ductile Iron Longitudinal Slotted	DG0700AA w/DG0675HD	Class E
<input type="checkbox"/> HARDNOSE Iron Frame w/Cast Iron Solid	DG0700AA w/DG0641S	Class F



www.polycastdrain.com
Toll Free Number:
1-800-346-3062