



DA0642B

Locking Device for Cast Iron 600 Series Grates

PROJECT ID/  
CONTRACT NO: \_\_\_\_\_

LOCATION: \_\_\_\_\_

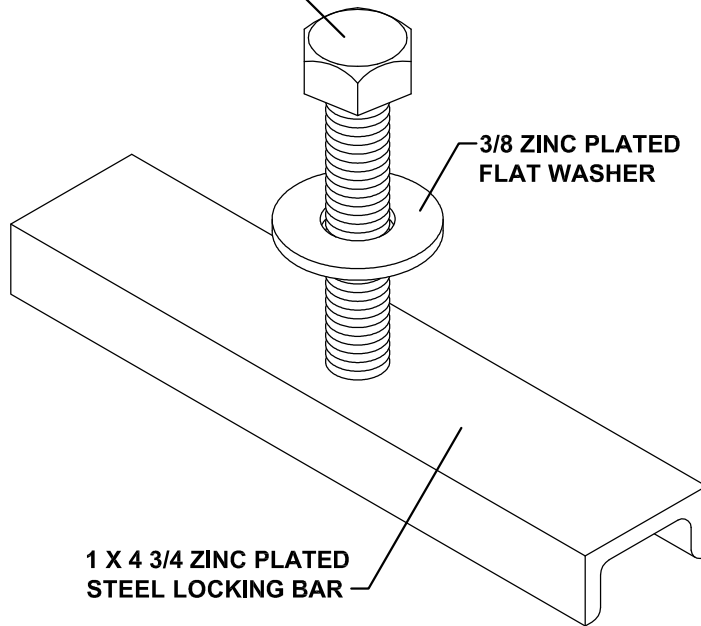
**ENGINEERING SPECIFICATION:**

Locking Devices are to be used with all grating systems where wheel traffic occurs. This is necessary to provide system integrity.

3/8-16 UNC X 2 LONG ZINC PLATED HEX HEAD BOLT

3/8 ZINC PLATED FLAT WASHER

1 X 4 3/4 ZINC PLATED STEEL LOCKING BAR



Grate Options (Select One)			
<input checked="" type="checkbox"/>	Grate Type	Part No.	DIN Load Class
<input type="checkbox"/>	Cast Iron Slotted	DG0641	Class C
<input type="checkbox"/>	Ductile Iron Slotted	DG0641D	Class D
<input type="checkbox"/>	Cast Iron Solid (ADA Compliant)	DG0641S	Class D
<input type="checkbox"/>	Ductile Iron Longitudinal Slotted (ADA Compliant)	DG0675HD	Class D



www.polycastdrain.com  
Toll Free Number:  
1-800-346-3062