



DA0642

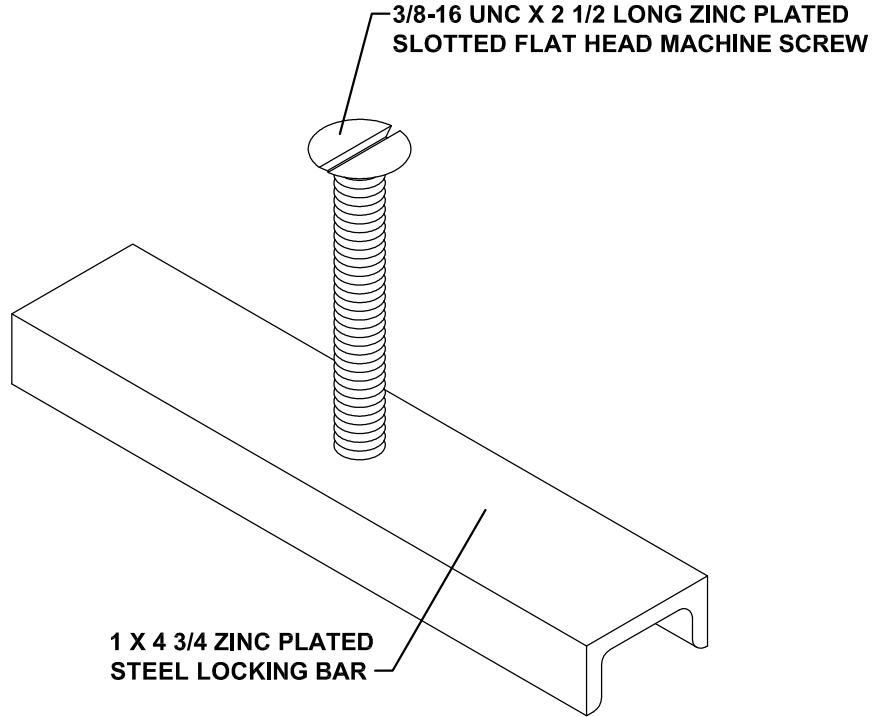
Locking Device for Galvanized Steel 600 Series Grates

PROJECT ID/
CONTRACT NO: _____

LOCATION: _____

ENGINEERING SPECIFICATION:

Locking Devices are to be used with all grating systems where wheel traffic occurs. This is necessary to provide system integrity.



Grate Options (Select One)			
<input checked="" type="checkbox"/>	Grate Type	Part No.	DIN Load Class
<input type="checkbox"/>	Galvanized Steel Solid (ADA Compliant)	DG0645	Class A
<input type="checkbox"/>	Galvanized Steel Perforated (ADA Compliant)	DG0646	Class A
<input type="checkbox"/>	Galvanized Steel Slotted	DG0640	Class A
<input type="checkbox"/>	DURAGUARD® Slotted	DG0670	Class A
<input type="checkbox"/>	DURAGUARD® Longitudinal (ADA Compliant)	DG0675	Class A
<input type="checkbox"/>	Double Galvanized Steel Slotted	DG0640R	Class C
<input type="checkbox"/>	Double Galvanized Steel Solid (ADA Compliant)	DG0645R	Class C
<input type="checkbox"/>	Double Galvanized Steel Perforated (ADA Compliant)	DG0646R	Class C



www.polycastdrain.com
Toll Free Number:
1-800-346-3062